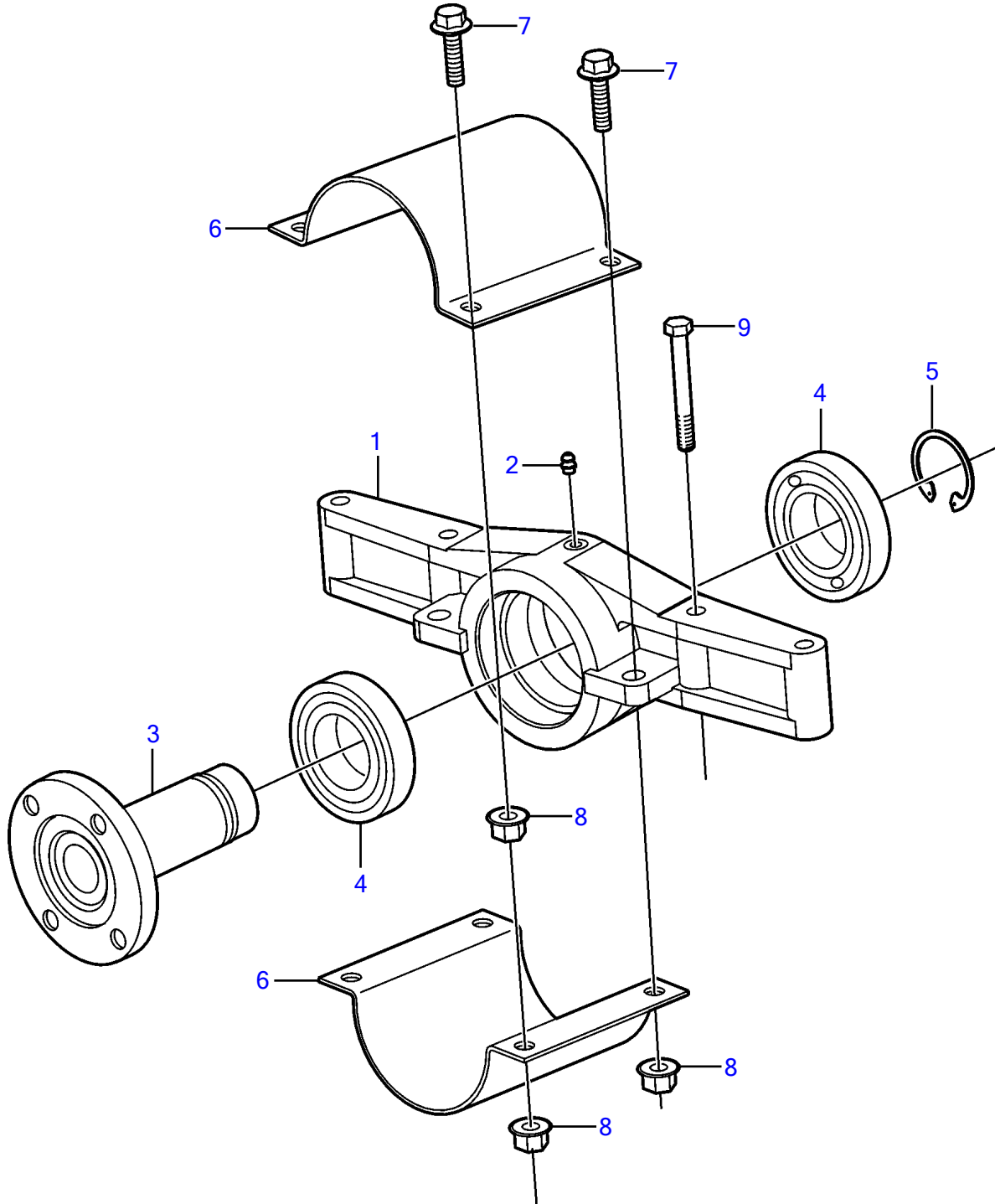


X-B, X-BLT, XHP-B, XHP-BLT, XXP-A, XXP-ALT, XXP-D3



X-B, X-BLT, XHP-B, XHP-BLT, XXP-A, XXP-ALT, XXP-D3

REF	PART NO.	QTY	DESCRIPTION
1	3851728	1	Bearing housing
2	3852121	1	Fitting
3	3862697	1	Shaft
4	181789	2	Ball bearing
5	914470	1	Snap ring
6	3817552	2	Cover
7	965192	4	Flange screw
8	971099	6	Flange lock nut
9	959975	7	Hexagon screw